



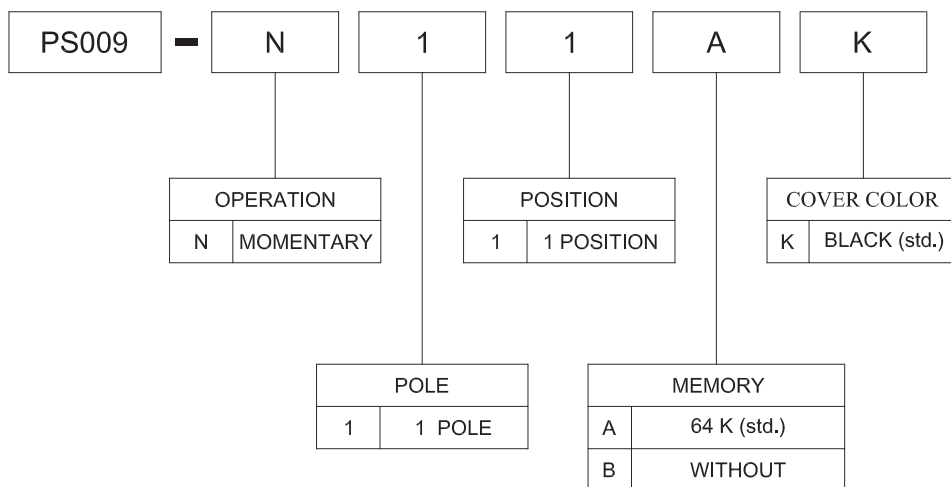
Feature -
FSTN LCD display resolution: 64*32 pixels
view size: 0.9"
SPST, momentary function

Application -
audio / video switchers
instrumentation
telecommunication
broadcast system
security system

► SPECIFICATIONS

| SWITCH SPECIFICATIONS | |
|-----------------------------|-------------------------------------------------------|
| POLE - POSITION | OFF - <ON> for Momentary Type , SPST |
| CONTACT RATING | 100mA 12V DC |
| CONTACT RESISTANCE | 200 mΩ MAX. |
| INSULATION RESISTANCE | 100 MΩ MIN. 500 V DC |
| DIELECTRIC STRENGTH | Breakdown is not Allowable ; 500 V AC for 1 Minute |
| OPERATING FORCE | 250 ± 100 gf |
| OPERATING LIFE | 1,000,000 cycles |
| OPERATING TEMPERATURE RANGE | -10°C ~ 60°C |
| TOTAL TRAVEL | 3.3 ± 0.2 mm |

► HOW TO ORDER



▶ LCD ELECTRICAL CHARACTERISTICS

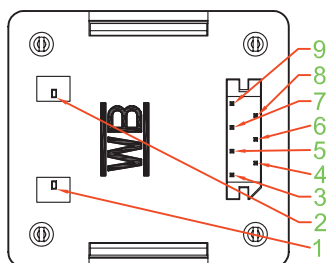
DISPLAY

| ITEM | CHARACTERISTICS | Unit |
|-----------------------|---------------------------------|-----------------|
| LCD type | FSTN / Transflective / Positive | |
| Pixels | 64 * 32 | Dot |
| View area | 17.8 * 13.0 | mm ² |
| Dots size | 0.235 * 0.335 | mm ² |
| Dots pitch | 0.25 * 0.35 | mm ² |
| Viewing angle | 6 O'clock | |
| Operating temperature | -10 to 70 | °C |
| Storage temperature | -20 to 80 | °C |
| Duty ratio | 1/32 | Duty |
| Bias | 1/6 | Bias |

BACKLIGHT

| COLOR : Over 32K color of backlight | | | | | |
|-------------------------------------|------|------|------|-------|-----------------|
| Dominant Wavelength : | | | | | |
| Device | MIN. | TYP. | MAX. | Units | Test Conditions |
| Hyper RED | 620 | 650 | 640 | mm | IF=20mA |
| GREEN | 513 | 515 | 537 | | |
| BLUE | 458 | 468 | 477 | | |

PIN STRUCTURE

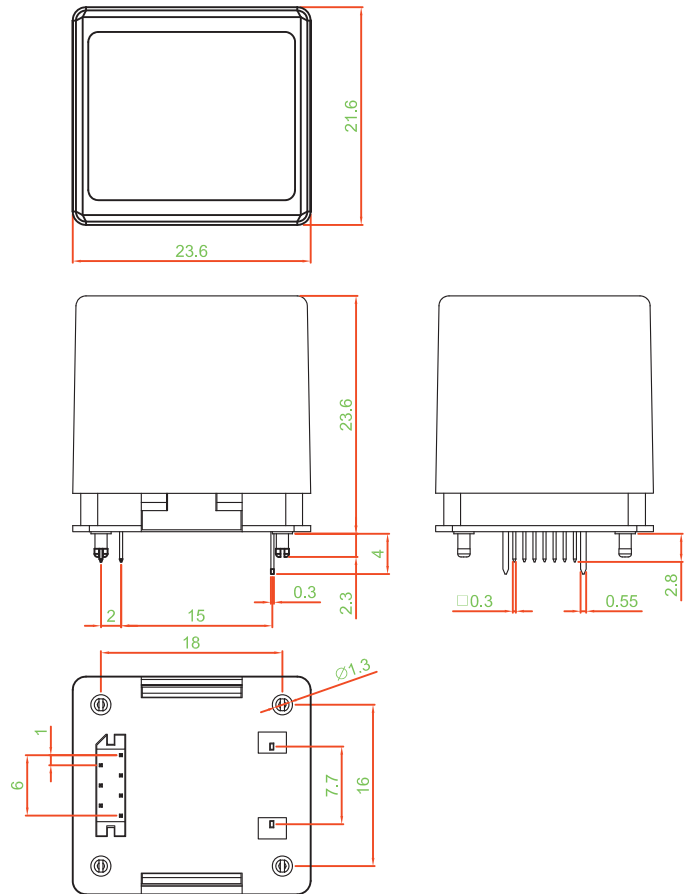


| PIN NO. | SYMBOL | NAME | FUNCTION |
|---------|--------|----------------------|----------------------------------------------|
| 1 | SW1 | Switch Pin | Normally open |
| 2 | SW2 | Switch Pin | Normally open |
| 3 | VDD | Power | Power source for logic current and LCD |
| 4 | GND | Ground | |
| 5 | SCK | Serial Clock | Clock line to synchronize data write for SPI |
| 6 | SDI | Data In | Data input line for SPI |
| 7 | SDO | Data Out | Data output line for SPI |
| 8 | SCS | Slave Control Select | |
| 9 | ALARM | ALARM | Button is pushed |

*.詳細資料請與公司業務聯繫 More details please contact with sales.

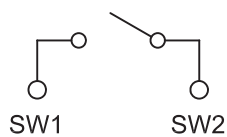
► DIMENSION & FRAME TYPE

PS009-N11AK

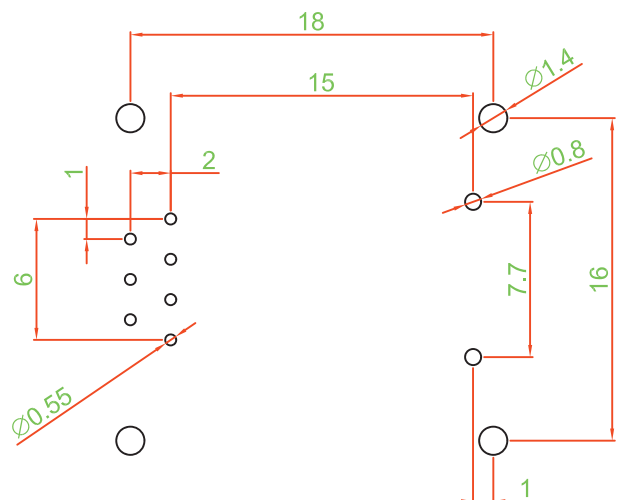


► SCHEMATIC

SWITCH



► P.C.B LAYOUT



► MATERIAL

- COVER : PC
- ACTUATOR : POM
- BASE FRAME : PA + GF
- TERMINAL : BRASS SILVER PLATING
- MOVING CONTACT : PHOSPHOR BRONZE SILVER PLATING